
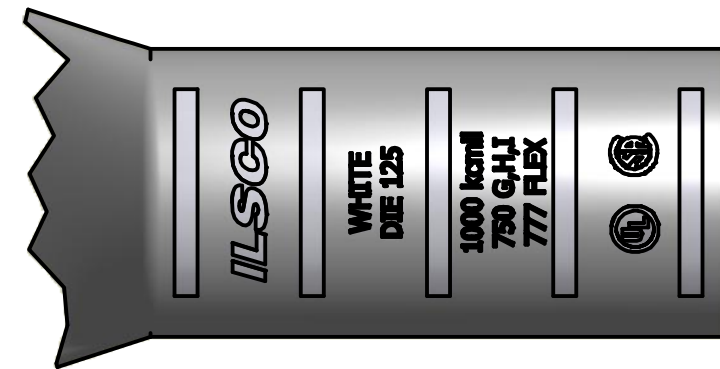
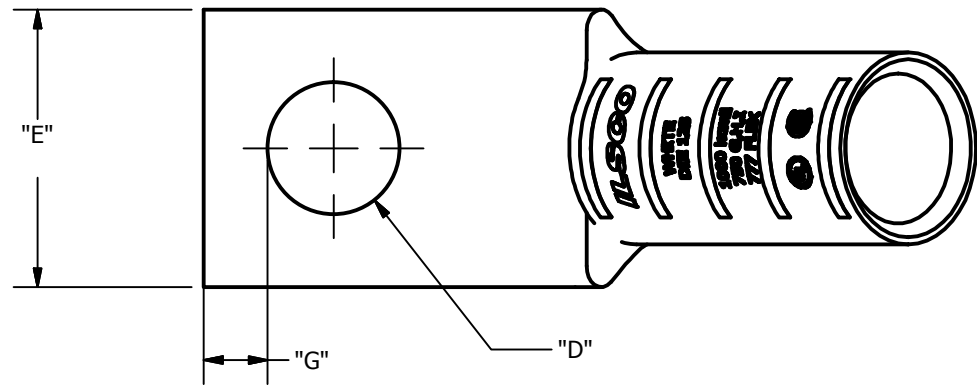
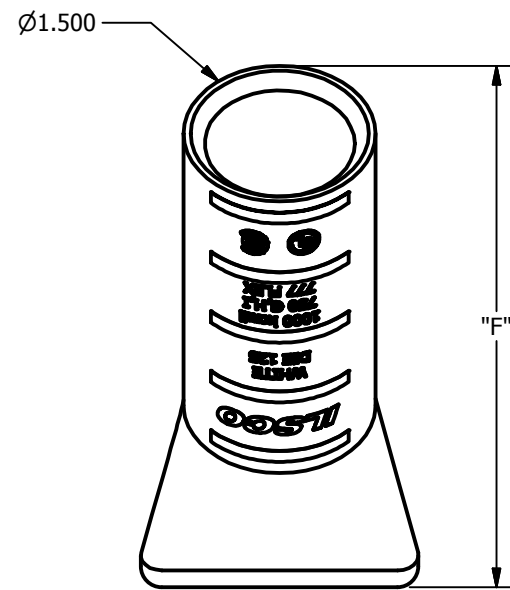
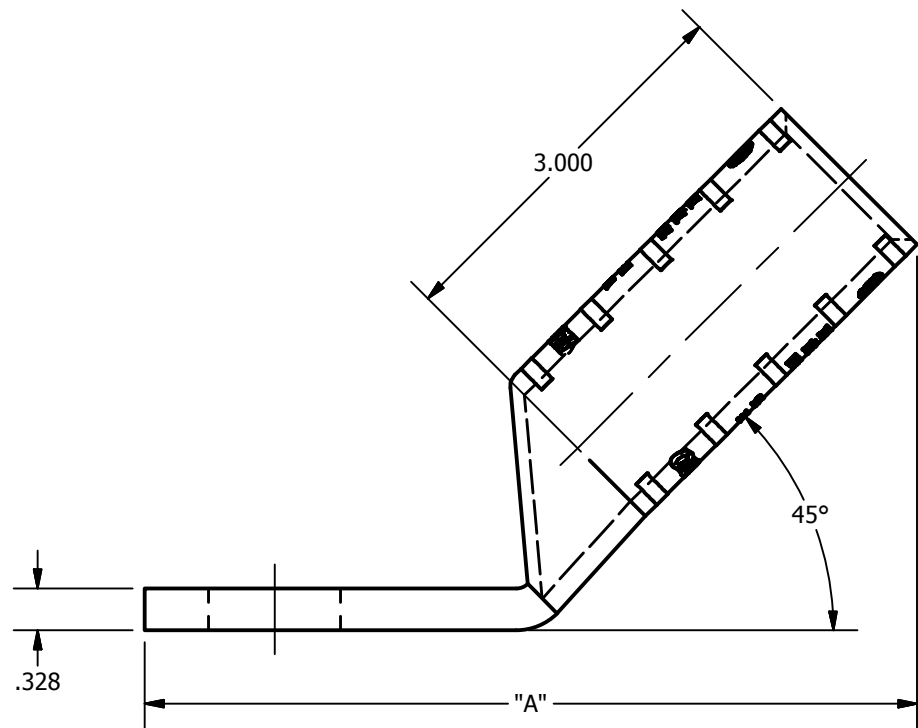


SCREW: NONE	MATERIAL: COPPER	REV: D	 800-776-9775 www.ilSCO.com
CAT. NO.: SEE CHART	PLATING: EL-TIN	DRAWN BY:DW SCALE: NTS	
INFORMATION SHEET:FORM 157	MARKING: SEE CHART	DATE:6/3/2008 SIZE: B	
			DWG NO: Y2103-S-4
			SHEET: 1 OF 1



DETAIL E
INK MARK TOP & BOTTOM



CATALOG NUMBER	"A"	"D"	"E"	"F"	"G"	TANG MARKING
CLNB-1000-12-4	4.590	0.562	2.169	4.121	0.265	
CLNB-1000-58-4	4.777	0.656	2.169	4.121	0.343	ILSCO, CLNB-1000-58-4, 5/8, 1000 kcmil, 750 GHI / 777 FLEX, DIE 125
CLNB-1000-34-4	5.027	0.781	2.169	4.121	0.359	
CLNB-1000-78-4	5.277	0.906	2.169	4.121	0.437	
CLNB-1000-38-4	4.465	0.406	2.169	4.121	0.211	
CLNB-1000-1-4	5.465	1.031	2.169	4.121	0.500	